

FEED PUSHER

RANGER

Self-guided,
autonomous robot
pushing the ration
several times a day.



DETAIL

- Automatically adapts the food pushing distance to the curb, without any programming

Variation automatique de la distance de repousse à la mangeoire, sans programmation

Selbsttätige Veränderung der verschobene Distanz zum Futtertrog, ohne Programmierung

Adapta automáticamente la distancia de distribución de la comida a los bordes, sin necesidad de programación

Regola in modo automatico la quantità di cibo spingendo verso il bordo, senza nessun tipo di programmazione

Adapta automaticamente a distância de deslocação do alimento à curva, sem qualquer programação

- Low maintenance

Entretien facile

Pflegeleichtausrüstung

Mantenimiento reducido

Manutenzione minima

Baixa manutenção

- Increased consumption of ration and milk production according to journal of animal science

Augmente la consommation des animaux et la production de lait selon l'étude du Journal of Animal Science

Vollverbrauch der Rationen erhöht die Milchleistung laut Journal of Animal Science

Mayor consumo por ración y, por lo tanto, incremento de la producción de leche de acuerdo con el Journal of Animal Science

Aumenta il consumo delle razioni e quindi la raccolta di latte rispettando i criteri del Journal of Animal Science

Consumo aumentado da ração e, por conseguinte, da produção de leite, de acordo com o Journal of Animal Science

- Simple, efficient and reliable thanks to the ground-inserted magnet strip

Simple, efficace et fiable grâce au guidage d'une bande magnétique insérée dans le sol

Einfach, effizient und zuverlässig durch einen Boden-eingefügten magnetstreifen

Sencillo, eficiente y seguro gracias a la cinta magnética de su base

Semplice, efficiente e affidabile grazie al nastro magnetico inserito a terra

Simples, eficaz e fiável, graças à tira magnética inserida no terreno

- No Risk of loss of control

Aucun risque d'éloignement dangereux

Keine Gefahr von Verlust der Kontrolle

No existe riesgo de pérdida de control

Nessun rischio di perdita di controllo

Nenhum risco de perda de controle

- Motorized rotating skirt increases pushing efficiencies

Rotation du châssis motorisé qui permet une meilleure poussée avec moins d'effort

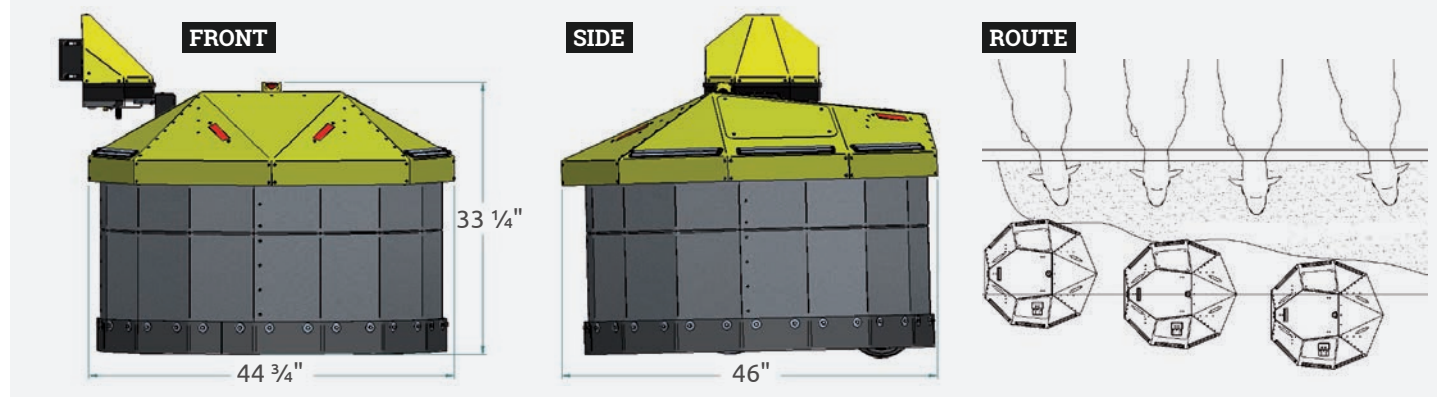
Erhöhung der Schubwirkung durch motorisierte rotierende Schürze

El faldón con movimiento monitorizado aumenta la eficacia del empuje

La piastra rotante motorizzata migliora l'efficienza della spinta

Saia rotativa motorizada aumenta a eficiência ativa

TECHNICAL DRAWING



TECHNICAL DATA

POWER	Electric 24 VDC
BATTERY	4 X 60 amp/hrs - 12 VDC AGM battery -
RECHARGE	Automatic charger using 24VDC - 15 AMP operating on 120/240 VAC. Multiple charging locations available as an option
TRACTION	2 X 1/2 HP (375 W) Electric motor (1 per wheel)
SPEED	40 ft/min (0.2 m/s)
ROTATING SKIRT	3 rpm - independent 0.4 HP (300 W)
OPERATING RATIO – CHARGING / RUN TIME	50/50
MAX RUNNING TIME	1h - 2400 ft (730 m)
NBR OF DEPARTURE	Up to 40
PATH OPTION	Closed circuit, Open, possibility of junctions
GUIDING SYSTEM	1/8in X 1/2in (3,2 mm X 12,7 mm) magnetic strip inserted into grooved floor
MANUAL MODE	User Friendly Remote Control
WEIGHT	1135 lbs (515kg)
PUSHING FORCE	400 Lbs (180 kg)
DISTANCE TO THE CURB	Adjustable distance, up to 18" (46 cm)
SHIELD AND COVER	304 Stainless steel
FRAMEWORK	Powder coated paint
MINIMUM TURNING RADIUS	12" (30 cm)
SAFETY	Temporary stop on collision
OPTION	24 volts electrifier